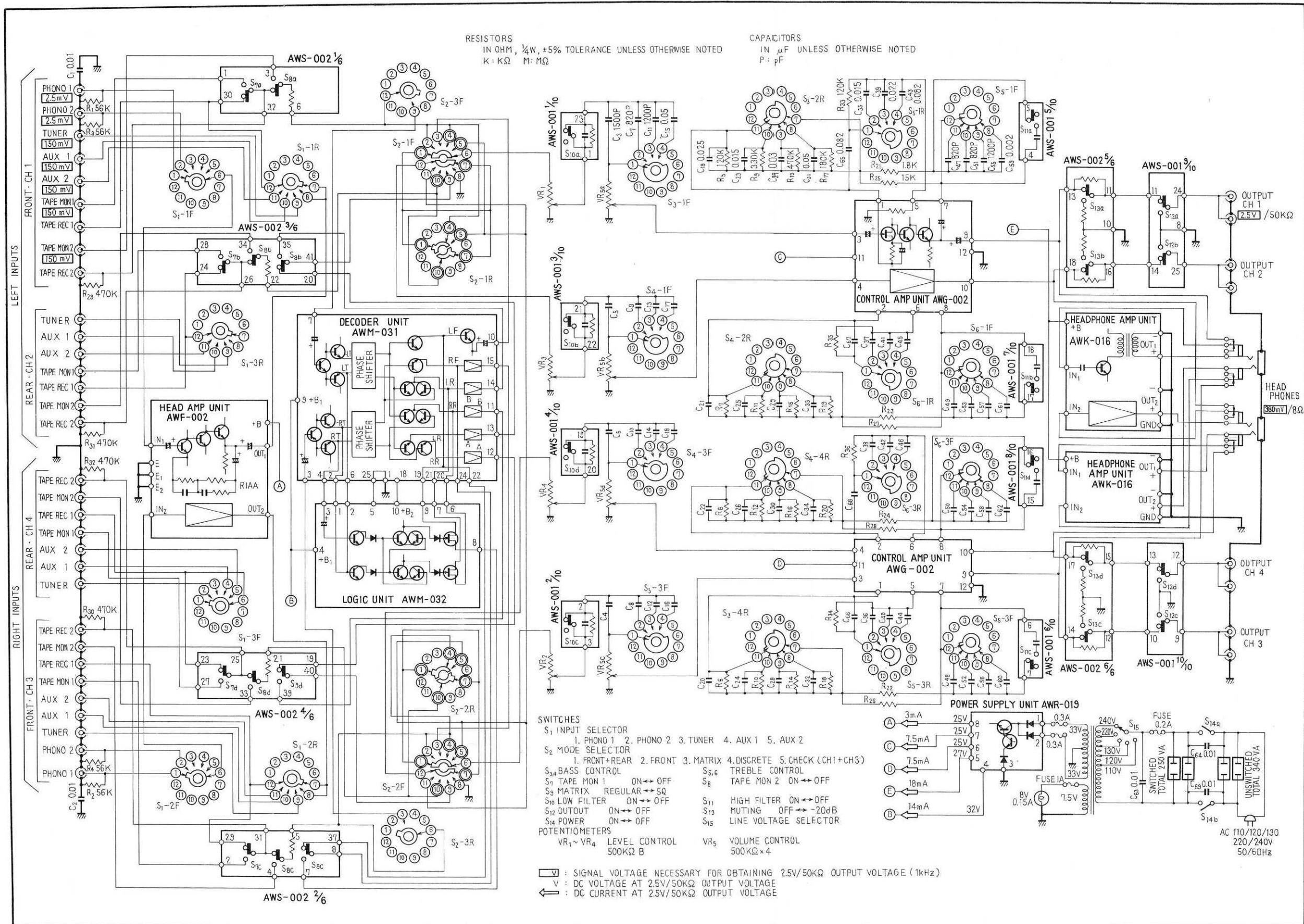


RESISTORS
IN OHM, 1/4W, ±5% TOLERANCE UNLESS OTHERWISE NOTED
K: KΩ M: MΩ

CAPACITORS
IN μF UNLESS OTHERWISE NOTED
P: pF



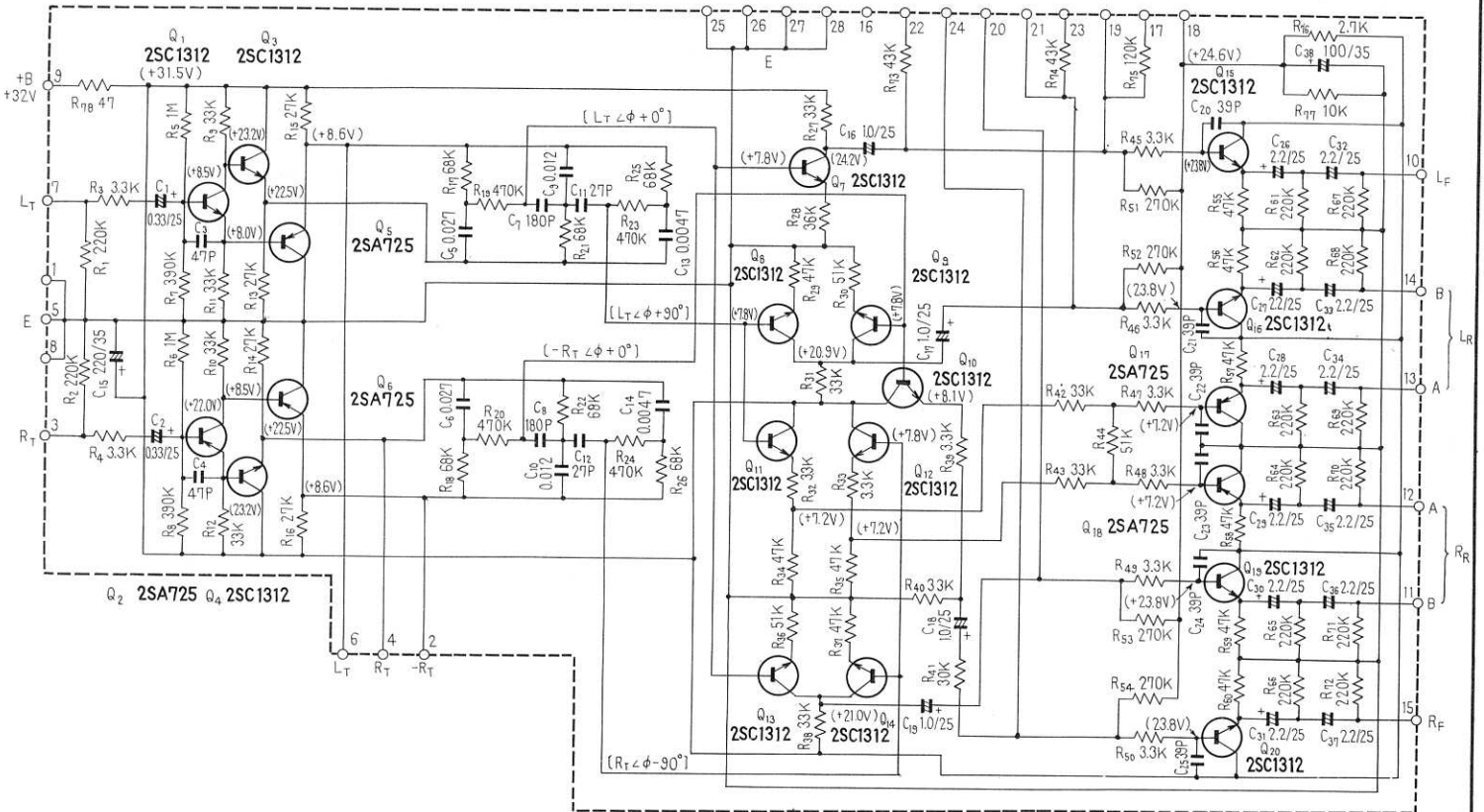
- SWITCHES**
- S₁ INPUT SELECTOR
1. PHONO 1 2. PHONO 2 3. TUNER 4. AUX 1 5. AUX 2
 - S₂ MODE SELECTOR
1. FRONT+REAR 2. FRONT 3. MATRIX 4. DISCRETE 5. CHECK (CH1+CH3)
 - S_{3a} BASS CONTROL
 - S_{3b} TREBLE CONTROL
 - S_{3c} TAPE MON 1 ON ↔ OFF
 - S_{3d} TAPE MON 2 ON ↔ OFF
 - S_{3e} MATRIX REGULAR ↔ SQ
 - S_{3f} TAPE MON 2 ON ↔ OFF
 - S_{3g} LOW FILTER ON ↔ OFF
 - S_{3h} HIGH FILTER ON ↔ OFF
 - S_{3i} MUTING OFF ↔ -20dB
 - S_{3j} POWER ON ↔ OFF
 - S_{3k} LINE VOLTAGE SELECTOR
- POTENTIOMETERS**
- VR₁ ~ VR₄ LEVEL CONTROL 500KΩ B
 - VR₅ VOLUME CONTROL 500KΩ × 4

⊖ : SIGNAL VOLTAGE NECESSARY FOR OBTAINING 2.5V/50KΩ OUTPUT VOLTAGE (1kHz)
 V : DC VOLTAGE AT 2.5V/50KΩ OUTPUT VOLTAGE
 ⤴ : DC CURRENT AT 2.5V/50KΩ OUTPUT VOLTAGE

AC 110/120/130
220/240V
50/60Hz

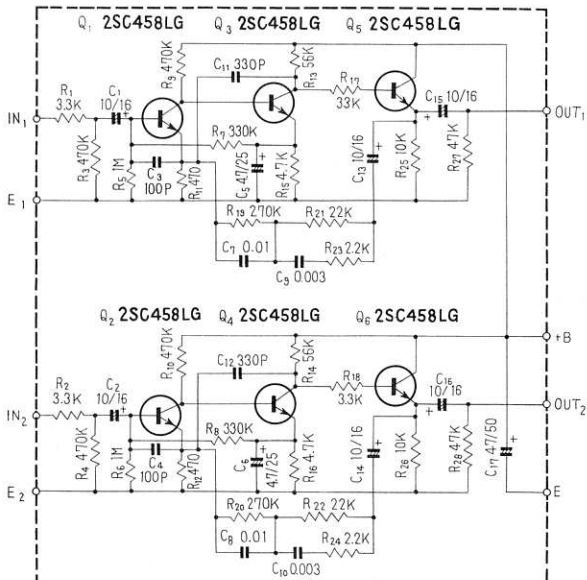
DECODER UNIT

AWM - 031



HEAD AMP UNIT

AWF - 002



CONTROL AMP UNIT

AWG - 002

